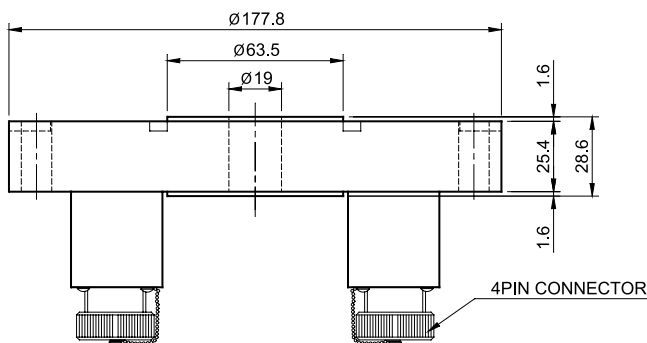
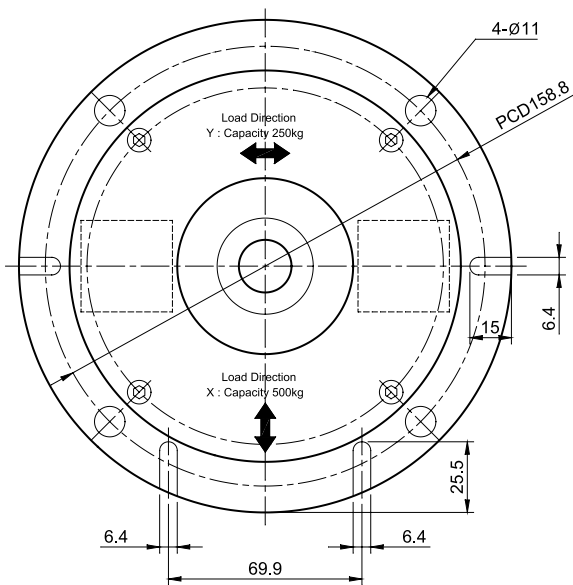


## Model BXY Series X-Y Force Sensor

The model BXY is designed for radial 2 axis force measurement.

- The complete 2-component system
- Stainless steel (17-4PH) construction for high accuracy and corrosion resistance



### SPECIFICATIONS

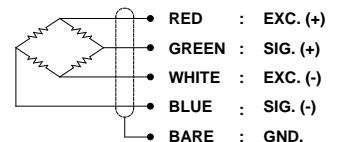
MODEL	BXY
Rated capacity (R.C.)	X-500kg Y-250kg
	X-750kg Y-250kg
	X-1000kg Y-500kg
Rated output (R.O.)	2.0mV/V ± 0.2%(X, Y axis)
Non-linearity	≤ 0.1% R.O.
Hysteresis	≤ 0.1% R.O.
Non-repeatability	≤ 0.05% R.O.
Creep error	≤ 0.05% in 20min.
Crosstalk	≤ 1%
Zero balance	± 1% R.O.
Compensated temperature range	-10 ~ 70 °C
Operating temperature range	-20 ~ 80 °C
Temp. effect on rated output	≤ 0.05% LOAD/10 °C
Temp. effect on zero balance	≤ 0.05% R.O./10 °C
Terminal input resistance	350 Ohms ± 3.5 Ohms
Terminal output resistance	350 Ohms ± 5 Ohms
Insulation resistance (Min.)	2000 MOhms at 50V DC
Excitation voltage	10V(Recommended), 15V(Max.)
Electrical connection	4Pin connector
Protection class	meets IP 54
Safe overload	150% R.C
Ultimate overload	300% R.C

### ORDERING INFORMATION

#### BXY - 500 x 250

MODEL	CAPACITY
BXY	X-500kg, Y-250kg X-750kg, Y-250kg X-1000kg, Y-500kg

### WIRING INFORMATION



\* Specifications are subject to change without notice

DEC, 2005